



FLANGE TOOL INNOVATION

# PRODUCT DATA SHEET

## FA1TM

MECHANICAL FLANGE  
ALIGNMENT TOOL

ALIGNING FORCE:  
1T (10kN)

TOOL WEIGHT:  
2.1kg (4.63lb)

### KIT COMPONENTS

- 1 x FA1TM Tool
- 1 x Mini Ratchet Strap
- 1 x Instruction Manual

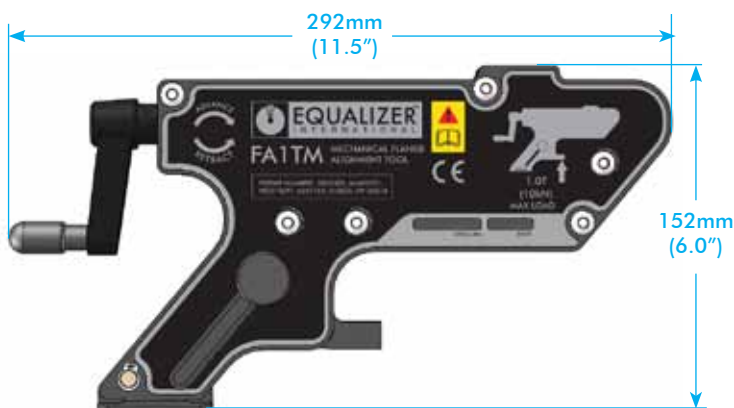
Product Code: FA1TMSTD



### WEIGHTS AND DIMENSIONS

Tool Weight: 2.1kg (4.63lb)  
Gross Weight: 2.3kg (5.07lb)

Box Dimensions:  
180.0mm x 330.0mm x 220.0mm  
(7.1" x 13.0" x 8.7")



info@equalizerinternational.com  
www.equalizerinternational.com

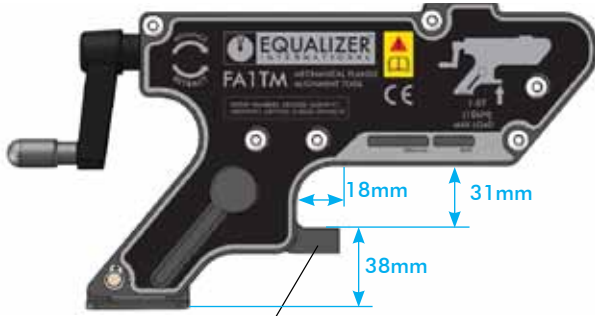
# FA1™

MECHANICAL FLANGE ALIGNMENT TOOL

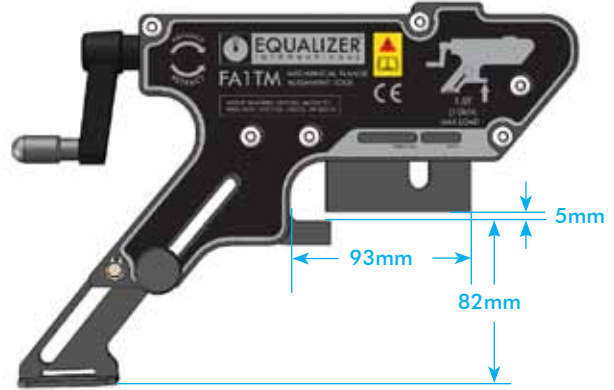


FLANGE TOOL INNOVATION

Minimum Extension



Maximum Extension



Minimum applicable Bolt Hole Diameter 16mm (0.63")

## RANGE OF APPLICATION

ASME	1/2"	3/4"	1"	1 1/4"	1 1/2"	2"	2 1/2"	3"	3 1/2"	4"	5"	6"	8"	10"	12"	14"
150#						FA1™	FA1™	FA1™	FA1™	FA1™	FA1™	FA1™	FA1™	FA4™	FA4™	FA4™
300#					FA1™	FA1™	FA1™	FA1™	FA1™	FA1™	FA1™	FA1™	FA4™	FA4™	FA4™	FA4™
400#						FA1™	FA1™	FA1™	FA4™	FA4™	FA4™	FA4™	FA4™	FA4™	FA9™	FA9™
600#					FA1™	FA1™	FA1™	FA1™	FA4™	FA4™	FA4™	FA4™	FA4™	FA9™	FA9™	FA9™
900#	FA1™	FA1™	FA4™	FA4™	FA4™	FA4™	FA4™	FA4™		FA4™	FA4™	FA4™	FA9™	FA9™	FA9™	FA9™
1500#	FA1™	FA1™	FA1™	FA4™	FA4™	FA4™	FA4™	FA4™			FA9™	FA9™	FA9™	FA9™	FA9™	FA9™
2500#	FA1™	FA1™	FA4™	FA4™	FA4™	FA4™	FA4™	FA9™		FA9™	FA9™	FA9™	FA9™	FA9™	FA9™	

ASME	16"	18"	20"	24"	26"	28"	30"	32"	34"	36"	38"	40"	42"	44"	46"	48"
150#	FA4™	FA4™	FA4™	FA4™	FA4™	FA4™	FA4™	FA4™	FA4™	FA9™	FA9™	FA9™	FA9™	FA9™	FA9™	FA9™
300#	FA9™	FA9™	FA9™	FA9™	FA4™	FA4™	FA4™	FA4™	FA4™	FA4™	FA9™	FA9™	FA9™	FA9™	FA9™	FA9™
400#	FA9™	FA9™	FA9™	FA9™	FA4™	FA4™	FA4™	FA4™	FA4™	FA4™	FA9™	FA9™	FA9™	FA9™	FA9™	FA9™
600#	FA9™	FA9™	FA9™	FA9™	FA4™	FA4™	FA4™	FA4™	FA4™	FA4™	FA9™	FA9™	FA9™	FA9™	FA9™	FA9™
900#	FA9™	FA9™	FA9™	FA9™	FA9™	FA9™	FA9™									
1500#	FA9™	FA9™	FA9™													
2500#																

For other flange types, please contact Equalizer International.