



**EQUALIZER**<sup>TM</sup>  
INTERNATIONAL

FLANGE TOOL INNOVATION

# PRODUCT DATA SHEET

## SW15TE HYDRAULIC FLANGE SPREADER

MINI KIT | STANDARD KIT | MAXI-KIT

### SPREADING FORCE:

with 700 bar (10 000 psi) hydraulic pressure applied:  
15.5 T (155 kN) per tool

It is recommended that tools are used in pairs giving:  
2 x 15.5 T = 31 T (310 kN)

TOOL WEIGHT = 7.0 kg (15.4 lb)

### KIT COMPONENTS **MINI**

- 1 x SW15TE Wedgehead
- 1 x 700 bar (10 000 psi) Hydraulic Cylinder
- 1 x Safety Block
- 1 x Pair of Stepped Blocks
- 1 x Hex Key
- 1 x Instruction Manual
- 1 x Cardboard Packaging
- Product Code: SW15TEMIN

### KIT COMPONENTS **STD**

- 1 x SW15TE Wedgehead
- 1 x 700 bar (10 000 psi) Hydraulic Hose, 2 m (78.7")
- 1 x 700 bar (10 000 psi) Hydraulic Cylinder
- 1 x 700 bar (10 000 psi) HP350S Sealed Hand Pump with Gauge
- 1 x Safety Block
- 1 x Pair of Stepped Blocks
- 1 x Hex Key
- 1 x Instruction Manual
- 1 x Carry Case
- Product Code: SW15TESTDSPB

### KIT COMPONENTS **MAXI**

- 2 x SW15TE Wedgeheads
- 2 x 700 bar (10 000 psi) Hydraulic Hose, 2 m (78.7")
- 2 x 700 bar (10 000 psi) Hydraulic Cylinder
- 1 x 700 bar (10 000 psi) HP350D Sealed Hand Pump with Gauge
- 2 x Safety Blocks
- 2 x Pair of Stepped Blocks
- 2 x Hex Keys
- 1 x Instruction Manual
- 1 x Carry Case
- Product Code: SW15TEMAXSPB

### WEIGHTS AND DIMENSIONS

Tool weight: 7.0 kg (15.4 lb)  
Safety Block: 0.5 kg (1.1 lb)  
Gross weight: 7.5 kg (16.5 lb)

Tool weight: 7.0 kg (15.4 lb)  
Carry-Case: 6.0 kg (13.2 lb)  
Gross weight: 19.5 kg (43.0 lb)

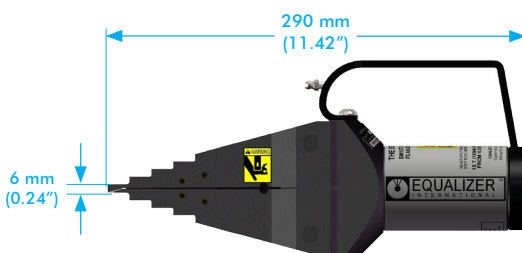
Tool weight: 7.0 kg (15.4 lb)  
Carry-Case: 6.0 kg (13.2 lb)  
Gross weight: 31.0 kg (68.3 lb)

Packaging Dimensions:  
190 mm x 180 mm x 320 mm  
(7.5" x 7.1" x 12.6")

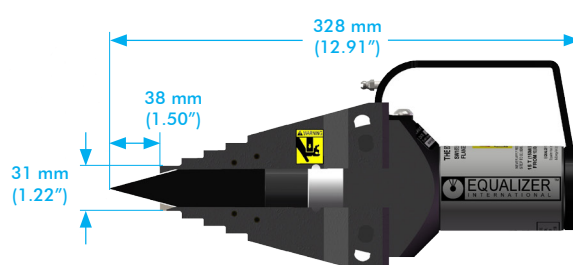
Carry-Case Dimensions:  
920 mm x 520 mm x 210 mm  
(36.2" x 20.5" x 8.3")

Carry-Case Dimensions:  
920 mm x 520 mm x 210 mm  
(36.2" x 20.5" x 8.3")

TOOL DIMENSIONS - CLOSED



TOOL DIMENSIONS - OPEN



info@equalizerinternational.com  
www.equalizerinternational.com

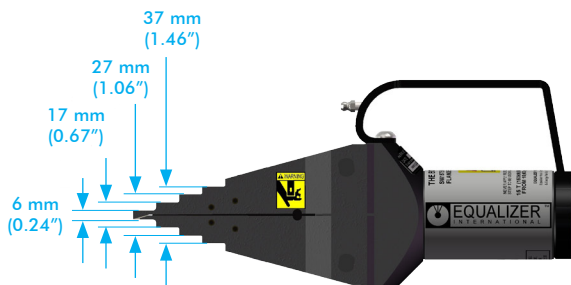
# SW15TE

HYDRAULIC FLANGE SPREADER

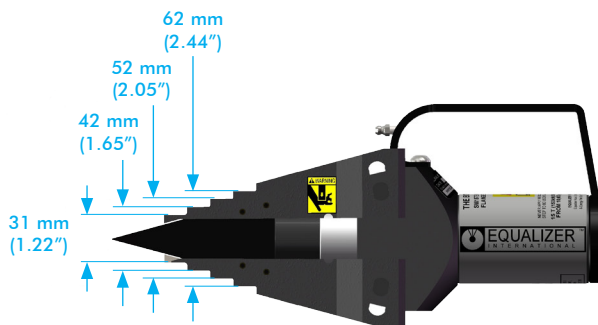


FLANGE TOOL INNOVATION

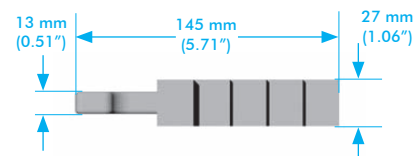
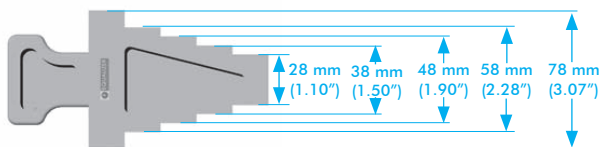
## TOOL DIMENSIONS - CLOSED



## TOOL DIMENSIONS - OPEN



## SAFETY BLOCK DIMENSIONS

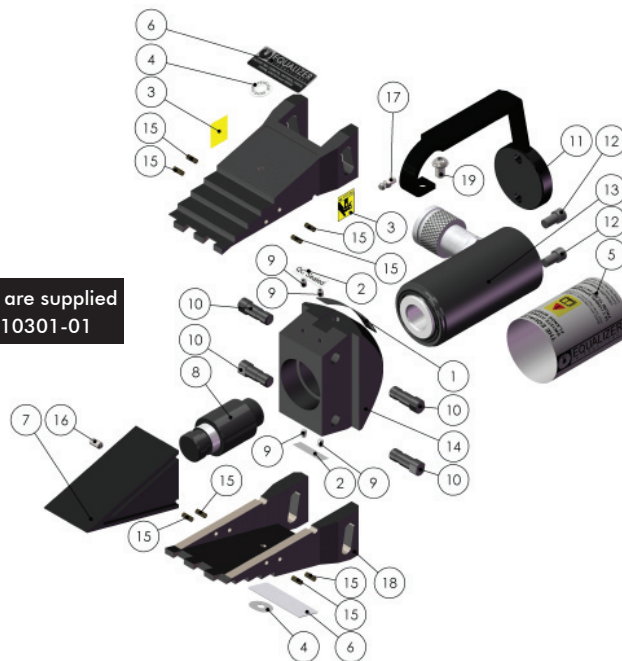


## RANGE OF APPLICATION

All flanges with a minimum access gap of 6 mm (0.24")

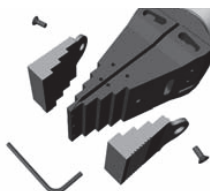
ITEM	DESCRIPTION	QTY.
01	SERIAL NO STICKER	01 each
02	QC SEALED STICKER	02 each
03	PINCH POINT STICKER	02 each
04	GREASE POINT STICKER	02 each
05	CYLINDER STICKER	01 each
06	BADGE LOGO	02 each
07	WEDGE	01 each
08	PUSH PIN	01 each
09*	M5x6 SCKT SCREW	01 set of 4
10*	SLIDE PIN	01 set of 4
11	HANDLE	01 each
12*	BASE SCREWS FOR HANDLE	01 set of 2
13	HYDRAULIC CYLINDER	01 each
14	MAIN BODY (not replaceable)	01 each
15*	SPIROL PIN	01 set of 8
16*	M6x12 GRUB SCREW	01 each
17	M6 GREASE NIPPLE	01 each
18	JAWS (PAIR)	01 pair
19*	RETAINING SCREW FOR HANDLE	01 each
20	CYLINDER REPAIR KIT (Not Illustrated)	01 kit

\*Items 9, 10, 12, 13 & 19 are supplied in Repair Kit Part No: 310301-01



## STEPPED BLOCKS

Stepped Blocks can be used singly or in pairs to increase the maximum spreading distance of the SW15TE to 81 mm



## WEIGHTS AND DIMENSIONS

Stepped Block: 0.52 kg (1.1 lb)  
GROSS WEIGHT: 1.5 kg (3.3 lb)

