

HPC - SINGLE ACTING PULL CYLINDERS

B



Capacities from 10 to 50 tonnes

Stroke length 152mm

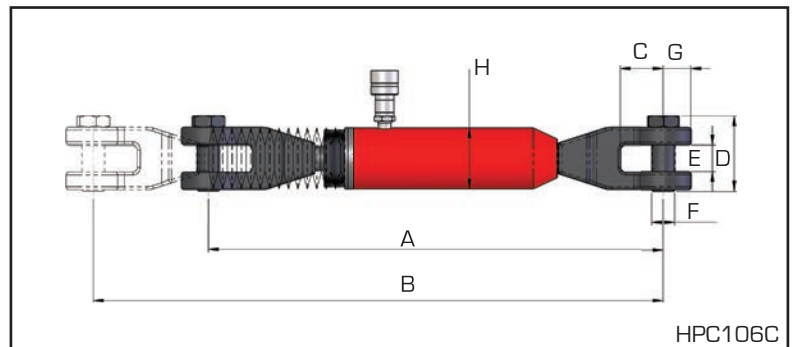
Working pressure 700 Bar



Hand and powered pumps suitable for use with HPC range pull cylinders are detailed on pages 29 to 50

The HPC pull cylinder range comprises of four models, with capacities ranging from 10 tonnes to 50 tonnes of pulling force. All models are 700 Bar maximum working pressure and feature a single acting, spring assisted return piston, with a 152mm stroke length. Fitted with easily replaceable machined pulling eyes on the piston rod and cylinder base, the 10 tonnes capacity version can also be supplied with clevis eye attachments. Typical applications for HPC pull cylinders are plate alignment prior to welding in shipyards, cable tensioning and heavy load moving using chains or wire ropes.

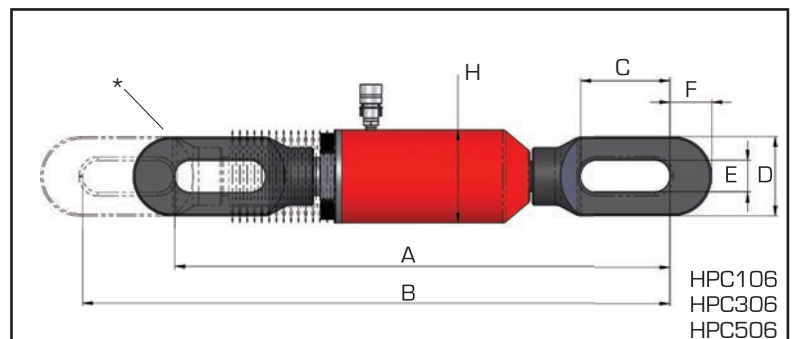
- >> Spring assisted return
- >> Surface treated piston rod
- >> Replaceable pulling and clevis eyes
- >> Piston wiper prevents contamination



Protective bellows are fitted as standard



HPC106 c/w bellows



* Eye bolt thickness: HPC106 = 22mm, HPC306 = 35mm, HPC506 = 40mm

Model number	Capacity tonnes	Stroke mm	Oil cap. cm ³	Cyl. eff. area cm ²	Weight kg
HPC106	10	152	228	15.0	12.0
HPC106C	10	152	228	15.0	15.5
HPC306	30	152	636	41.8	31.0
HPC506	50	152	1078	71.0	54.0

Dimensions in mm							
A	B	C	D	E	F	G	H
600	752	114	67	32	33	-	80
602	754	58	99	35	30	36	80
695	847	145	105	42	50	-	122
819	971	149	130	52	69	-	153